



FLIP

Klappscheinwerfer / Drop-out spotlight



1. HINGE COMPONENTS



2. THIGT CAREFULLY!



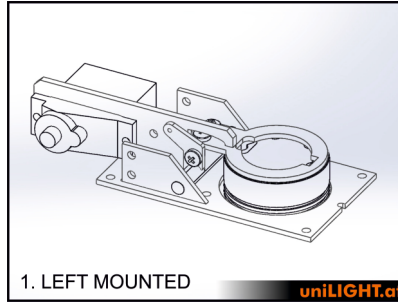
3. SPOT MOUNTING BRACKET



4. MOUNT SPOTLIGHT

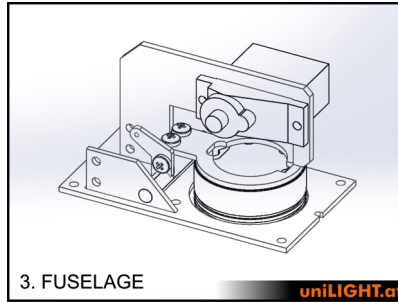


5. PREPARE BOLTS



1. LEFT MOUNTED

6a. MOUNT BRACKET WING



3. FUSELAGE

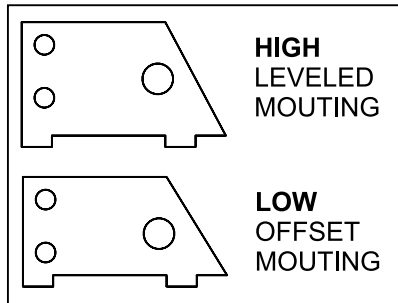
6b. MOUNT BRACKET FUSELAGE



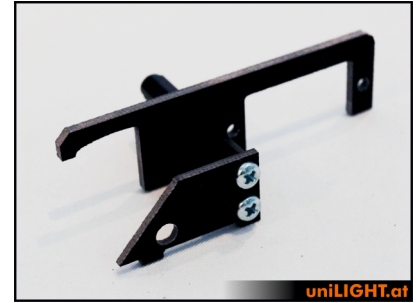
7. MOUNT BOLTS



8. FRAME MOUNTING*



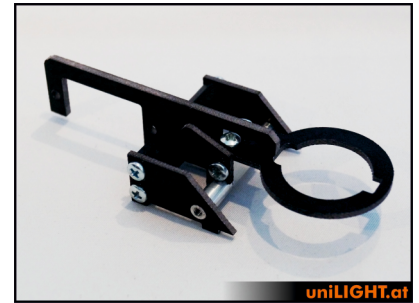
* SELECT YOUR VERSION



9. FIRST FRAME SIDE



10. ADD HINGE WITH SPOT



11. MOUNT MECHANIK



12. MOUNT SERVO



13. ADJUST PUSH ROD